

# STACK DISPENSING *in your Favor*

**Stack 'em 2, 3, 4 high – or more!**

The new Simpli-Flex® 2100 molded cabinet includes a Simpli-Flex 2000 cup dispenser and three Simpli-Flex gaskets to dispense 3-1/2 to 44 oz. (1.0 to 13 cl.) paper, plastic or foam cups.



*Shown with optional nesting  
condiment and lid organizer!*



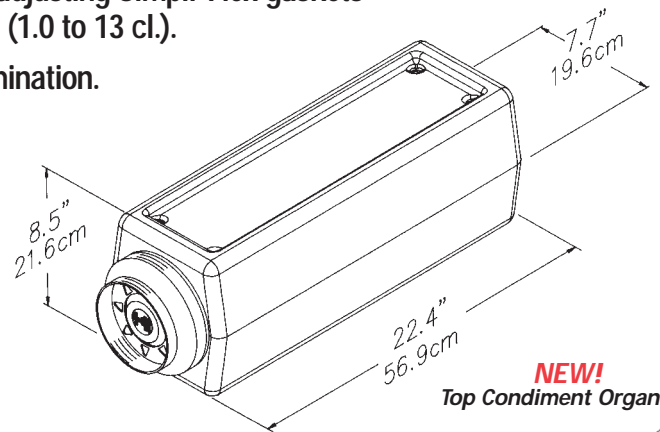
# MODULAR® DISPENSING SYSTEMS

# Introducing the New Modular<sup>®</sup> Simpli-Flex<sup>®</sup> 2100 Molded Cabinet



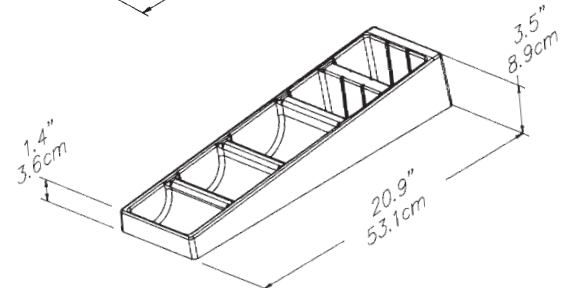
## SIMPLI-FLEX<sup>®</sup> 2100 MOLDED CABINET FEATURES:

- ✓ Simpli-Flex<sup>®</sup> 2000 Cup Dispenser inside - includes three self-adjusting Simpli-Flex gaskets to dispense paper, plastic and foam cups from 3-1/2 to 44 oz. (1.0 to 13 cl.).
- ✓ The Simpli-Flex gasket completely seals the cup from contamination.
- ✓ Stackable - Stack one cabinet on top of the other for multiple dispensing applications!
- ✓ Durable - molded of heavy-duty, high-impact plastic. Built to stand up to the toughest use!
- ✓ Ideal for c-stores, kiosks, carts, caterers, concessions, outdoor events.
- ✓ Optional top condiment and lid organizer available.



## TOP CONDIMENT AND LID ORGANIZER FEATURES:

- ✓ Custom designed to fit on top of the Simpli-Flex 2100 cabinet. Use as a stand-alone organizer, too!
- ✓ Five compartments plus two adjustable spacers.
- ✓ Molded of rigid heavy-duty polypropylene.



DISTRIBUTED BY:

**MODULAR<sup>®</sup>**  
DISPENSING SYSTEMS

13700 Broadway Avenue  
Cleveland, OH 44125-1992  
Phone: 216/587-3400  
800/945-4589 in the U.S. and Canada  
FAX: 216/587-6192  
800/945-9869 in the U.S. and Canada  
www.tomlinsonind.com  
World Class, Worldwide