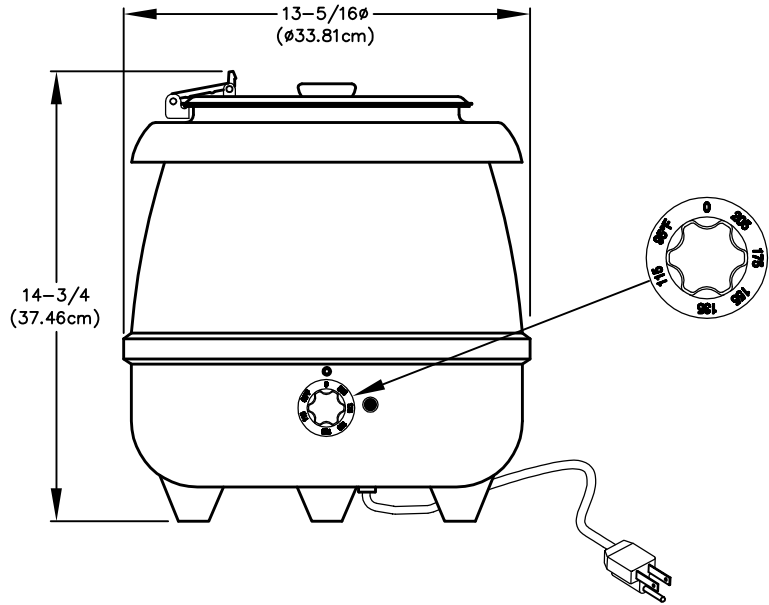


# OPERATING AND MAINTENANCE INSTRUCTIONS FOR THE GLENRAY® 120 VOLT KETTLE



## GENERAL SPECIFICATIONS

VOLUME: 10.5 Quart (9.9 Liter)  
HEIGHT: 14-3/4" (37.46cm)  
DIAMETER: 13-5/16" (ø33.81cm)  
WEIGHT: 11.5 lbs. (5.2Kg)  
VOLTS: 120V AC  
HERTZ: 60 Hz  
WATTS: 400W  
AMPS: 3.3 AMPS



## TO ENERGIZE:

Plug the power cord(#10) into a 120V AC outlet and rotate temperature control knob(#9) to desired setting. The pilot light will illuminate when unit is heating. When product reaches selected setting, the pilot light will turn off.

## PREPARATION:

Always follow food manufacturer's instructions to prepare food. Product can be mixed in a separate container or directly in the food insert. NEVER MOVE OR CARRY THE ENTIRE KETTLE WHEN HOT OR FULL.



**DO NOT FILL FOOD INSERT TO THE RIM. FOOD PRODUCT SHOULD BE 2.0"(5cm) BELOW THE RIM. OVER FILLING THE FOOD INSERT MAY RESULT IN A BOIL OVER CONDITION AT HIGH TEMPERATURE SETTINGS.**

## TEMPERATURE CONTROL SWITCH SETTINGS:

The Glenray Kettle temperature control switch is a "capillary" type switch. Any product temperature from ambient to boiling can be obtained by setting the temperature control switch at various points above 0 (lowest electrical energy input) and 205 (highest electrical energy input). The Glenray Kettle is off when the switch is in the 0 position. For energy savings always turn switch to 0 when the kettle is not in use. Switch settings below 95 provide minimum heating. Switch setting on 205 provides maximum heating.



**DO NOT RUN EMPTY KETTLE ON SETTING 205!**

## WET OPERATION:

Wet operation is recommended for all preparation and serving situations. Remove food insert(#2) and collar(#3). Add 20 ounces(.59L) of water to aluminum insert(#4) then replace collar(#3) and food insert(#2). To rapidly heat product, set temperature control switch to 205. When desired product temperature is reached, set switch between 155 and 175. If product boils, set switch between 115 and 135 until serving temperature is reached. Set between 135 and 155 to HOLD or SERVE.



**TO PREVENT OVERHEATING MAINTAIN WATER TO WATER LEVEL MARK. ALWAYS TURN KETTLE CONTROL TO "0" (OFF) POSITION WHEN NOT IN USE.**



**DRY OPERATION IS NOT RECOMMENDED, OPERATE WET ONLY.**

## CLEANING:

The Glenray Kettle should provide maintenance free operation. Only routine cleaning of spilled food from the exterior surface is required. The stainless steel food insert and stainless steel lid are machine washable. The kettle shell should be cleaned only with a soft cloth and mild detergent.



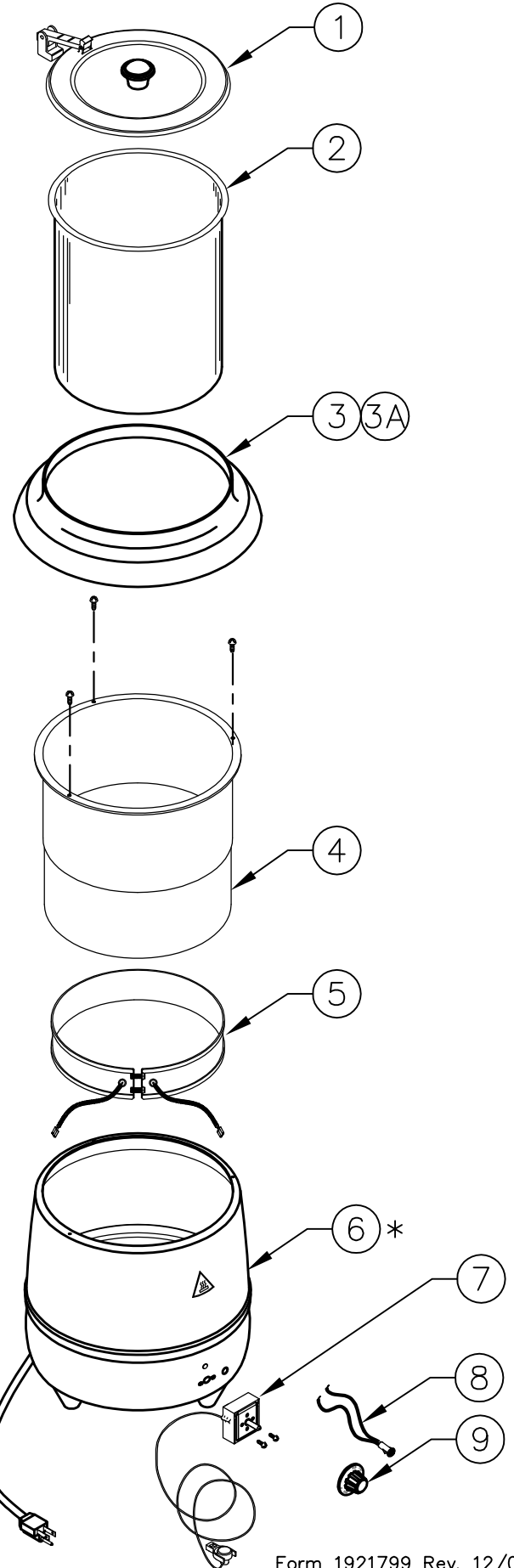
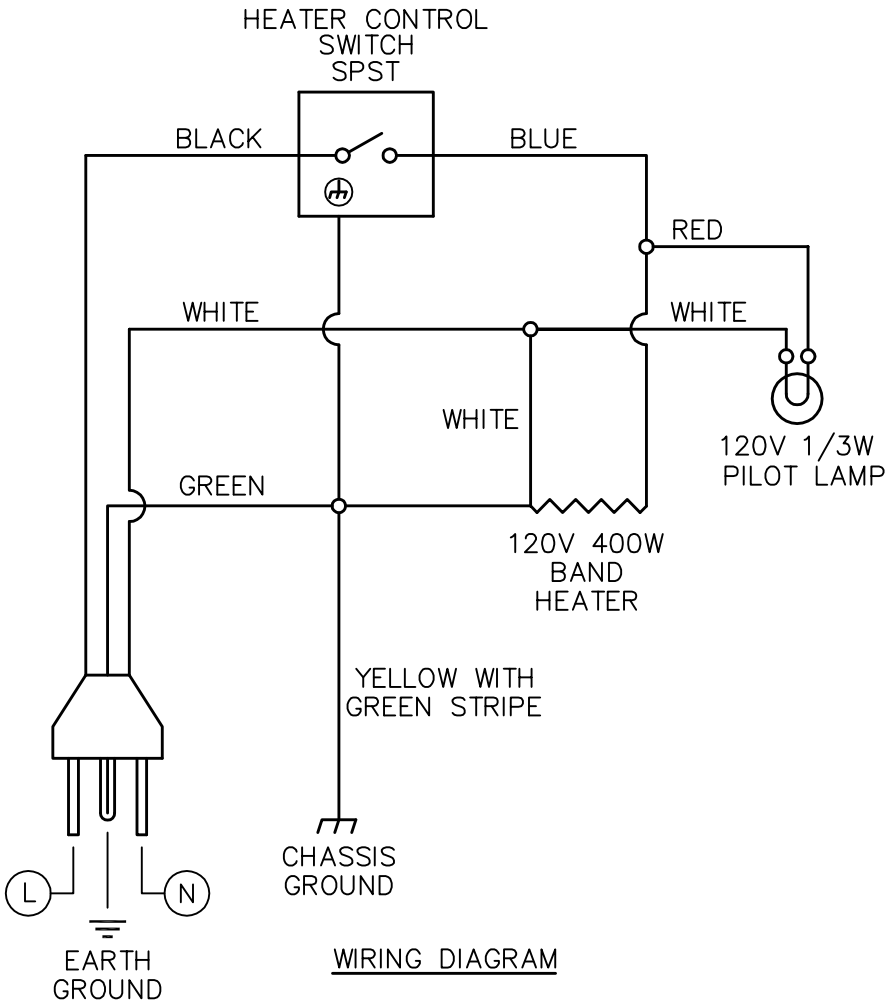
**DO NOT IMMERSE THE KETTLE IN ANY LIQUIDS.  
DO NOT CLEAN THE KETTLE WITH WATER JET EQUIPMENT.**



**REPAIRS:** Tomlinson Industries cannot be responsible for unauthorized field repairs. For repair service within the warranty, contact your distributor for the nearest authorized service facility or instructions.

Repairs must always be made by qualified personnel only. ALWAYS DISCONNECT POWER BEFORE SERVICING. If the supply cord is damaged, it must be replaced by the manufacturer, its service agent, or a similarly qualified person in order to avoid a hazard.

# EXPLODED ASSEMBLY AND REPLACEMENT PART REFERENCE FOR THE GLENRAY® 120 VOLT KETTLE



**⚡ WARNING**

REPAIRS: Tomlinson Industries cannot be responsible for unauthorized field repairs. For service within the warranty, contact your distributor for the nearest authorized service facility. REPAIRS must be made by qualified, authorized personnel only.

**⚡ WARNING**

This appliance MUST BE serviced by QUALIFIED PERSONNEL ONLY. The power supply cord MUST BE disconnected from the power source before starting any repairs.

**EXPLODED ASSEMBLY REPLACEMENT PART LIST FOR  
THE GLENRAY® 120 VOLT KETTLE**

<b>REPLACEMENT PARTS LIST</b>			
<b>ITEM</b>	<b>DESCRIPTION</b>	<b>PART NO.</b>	<b>QTY.</b>
1	LID ASSEMBLY, GLENRAY KETTLE	1410867	1
2	FOOD INSERT, 10.5 QUART STAINLESS STEEL	1910807	1
3	COLLAR, 10.5 QUART STAINLESS STEEL	1921848	1
3A	COLLAR, 10.5 QUART BLACK	1921847	1
4	INSERT, KETTLE ALUMINUM	1921843	1
5	HEATER, BAND 400 WATTS 120 VOLTS	1921842	1
*6	SHELL, GLENRAY KETTLE	—————	1
7	SWITCH, CAPILLARY 120 VOLTS	1921845	1
8	LIGHT, PILOT 120 VOLTS RED LENS	1921844	1
9	KNOB, TEMPERATURE CONTROL	1921901	1
*10	CORDSET ASSEMBLY, 115 VOLTS	—————	1

\* components are not available for replacement.