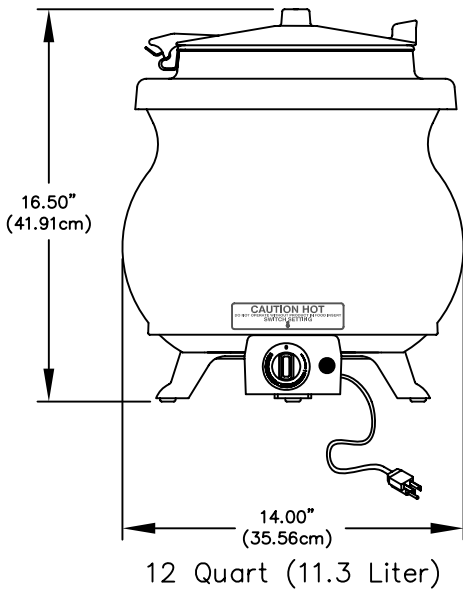
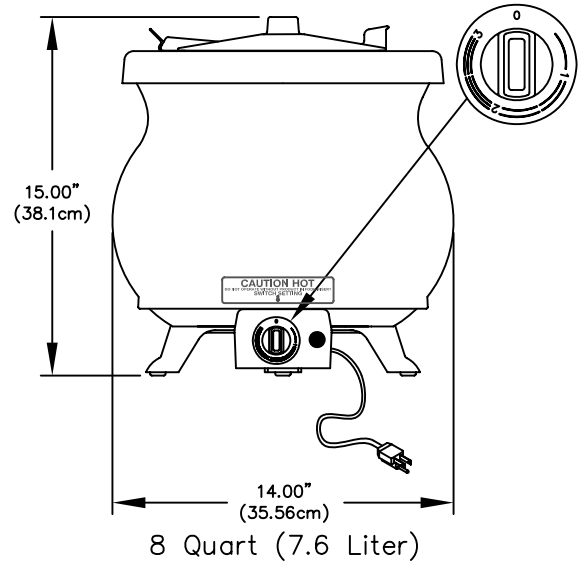


OPERATING AND MAINTENANCE INSTRUCTIONS FOR  
THE TOMLINSON 120 VOLT FRONTIER KETTLE®



GENERAL DIMENSIONS

VOLUME: 8 Quart (7.6 Liter)  
12 Quart (11.3 Liter)  
HEIGHT: 15.00" (38.1cm)  
16.50" (41.9cm)  
DIAMETER: 14.00" (ø35.56cm)  
WEIGHT: 24 lbs. (11 Kg)  
VOLTS: 120V AC  
HERTZ: 60 Hz  
WATTS: 1250W  
AMPS: 10.4 AMPS



**TO ENERGIZE:**

Plug the power cord(#7) into a 120V AC outlet and rotate temperature control knob(#26) to desired setting. The pilot light will glow amber when unit is on.

**PREPARATION:**

Always follow food manufacturer's instructions to prepare food. Product can be mixed in a separate container or directly in the food insert. NEVER MOVE OR CARRY THE ENTIRE KETTLE WHEN HOT OR FULL. The optional bail handle and transport collar may be used to aid transportation of the filled food insert to the kettle.



DO NOT FILL FOOD INSERT TO THE RIM. FOOD PRODUCT SHOULD BE 2.0"(5cm) BELOW THE RIM. OVER FILLING THE FOOD INSERT MAY RESULT IN A BOIL OVER CONDITION AT HIGH TEMPERATURE SETTINGS.

**TEMPERATURE CONTROL SWITCH SETTINGS:**

The Frontier Kettle temperature control switch is an "infinite" type switch. Any product temperature from ambient to boiling can be obtained by setting the switch at various points above 0 (lowest electrical energy input) and 3 (highest electrical energy input). Frontier Kettle is shut off when switch is in the 0 position. For energy savings always turn switch to 0 when the kettle is not in use. Switch settings below 1 provide minimum heating. Switch setting on 3 provides maximum heating.



DO NOT RUN EMPTY KETTLE ON SETTING 3!

**TEMPERATURE ADJUSTMENT:**

The Frontier Kettle may be operated either "wet" or "dry", and will maintain its contents at any desired temperature. The kettle's 1250 watt heating element provides fast, efficient heating of room temperature, refrigerated, or frozen food products.

**WET OPERATION:**

Wet operation is recommended for most preparation and serving situations. Remove food insert(#35) and collar(#30). Add water to aluminum insert(#34) then replace collar(#30) and food insert(#35). Add 40 ounces(1.2L) of water, for 8 quart(7.6L) model, or 24 ounces(0.7L) of water for the 12 quart(11.3L) model.

To rapidly heat product, set switch on 3. When desired product temperature is reached, set switch at 1. If product BOILS, set switch between 0 and 1 until serving temperature is reached. Set between 1 and 2 to HOLD or SERVE.

**DRY OPERATION:**

To maintain product at about 165°F(74°C) during SERVING CONDITIONS (i.e., the cover being opened frequently), the temperature control should be set at 2. Setting the switch at 1 will maintain product at about 165°F(74°C) during HOLDING CONDITIONS (e.g., the cover closed, with long intervals between servings). Adjustments from these recommended settings may have to be made for different products and varying serving conditions.

**CLEANING:**

The Frontier Kettle should provide maintenance free operation. Only routine cleaning of spilled food from the exterior surface is required. The stainless steel food insert and plastic lid are machine washable. The cast aluminum kettle shell should be cleaned only with a soft cloth and mild detergent.



DO NOT IMMERSE THE KETTLE IN ANY LIQUIDS  
DO NOT CLEAN THE KETTLE WITH WATER JET EQUIPMENT

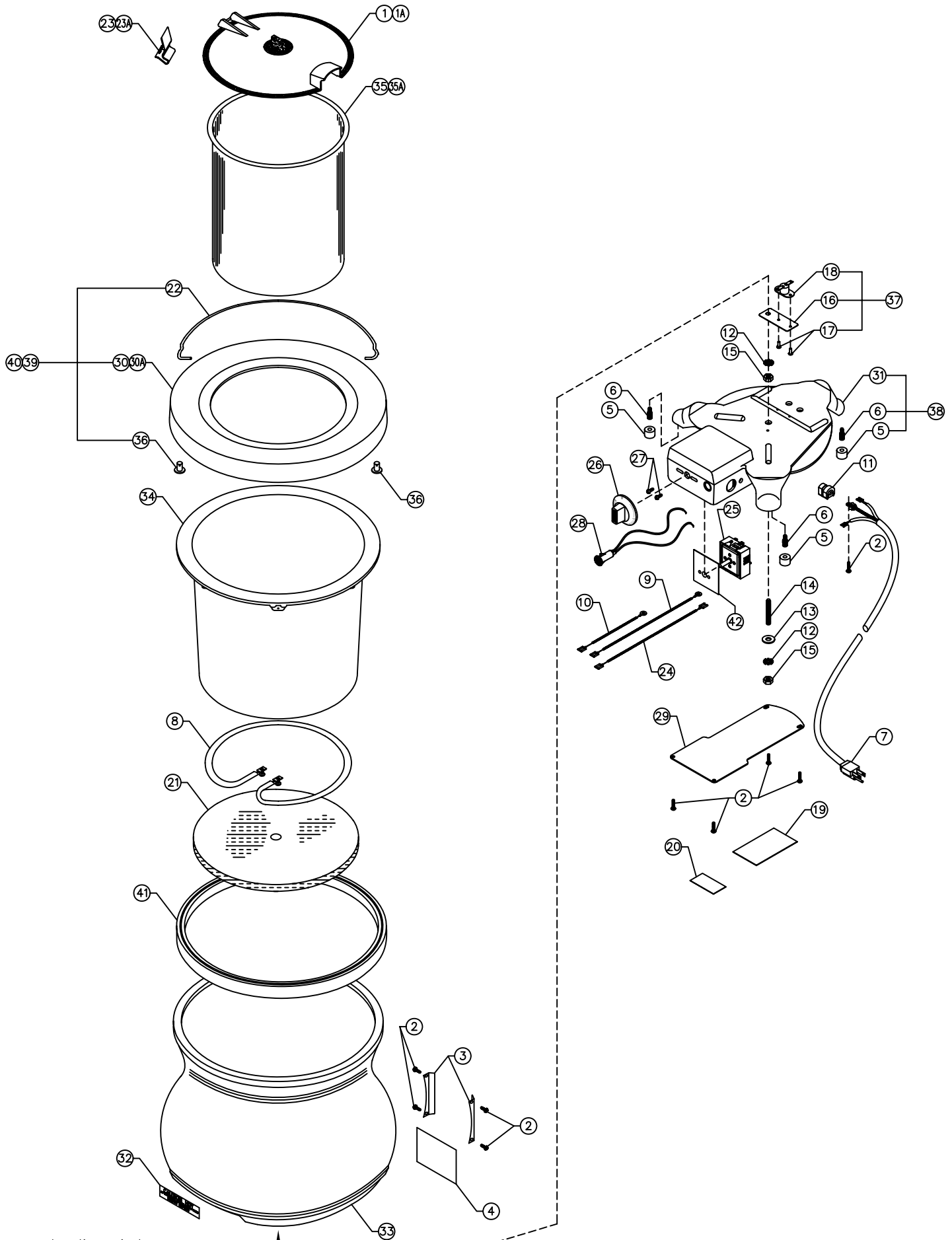


REPAIRS: Tomlinson Industries cannot be responsible for unauthorized field repairs. For repair service within the warranty, contact your distributor for the nearest authorized service facility or instructions.

Repairs must always be made by qualified personnel only. ALWAYS DISCONNECT POWER BEFORE SERVICING.

If the supply cord is damaged, it must be replaced by the manufacturer, its service agent, or a similarly qualified person in order to avoid a hazard.

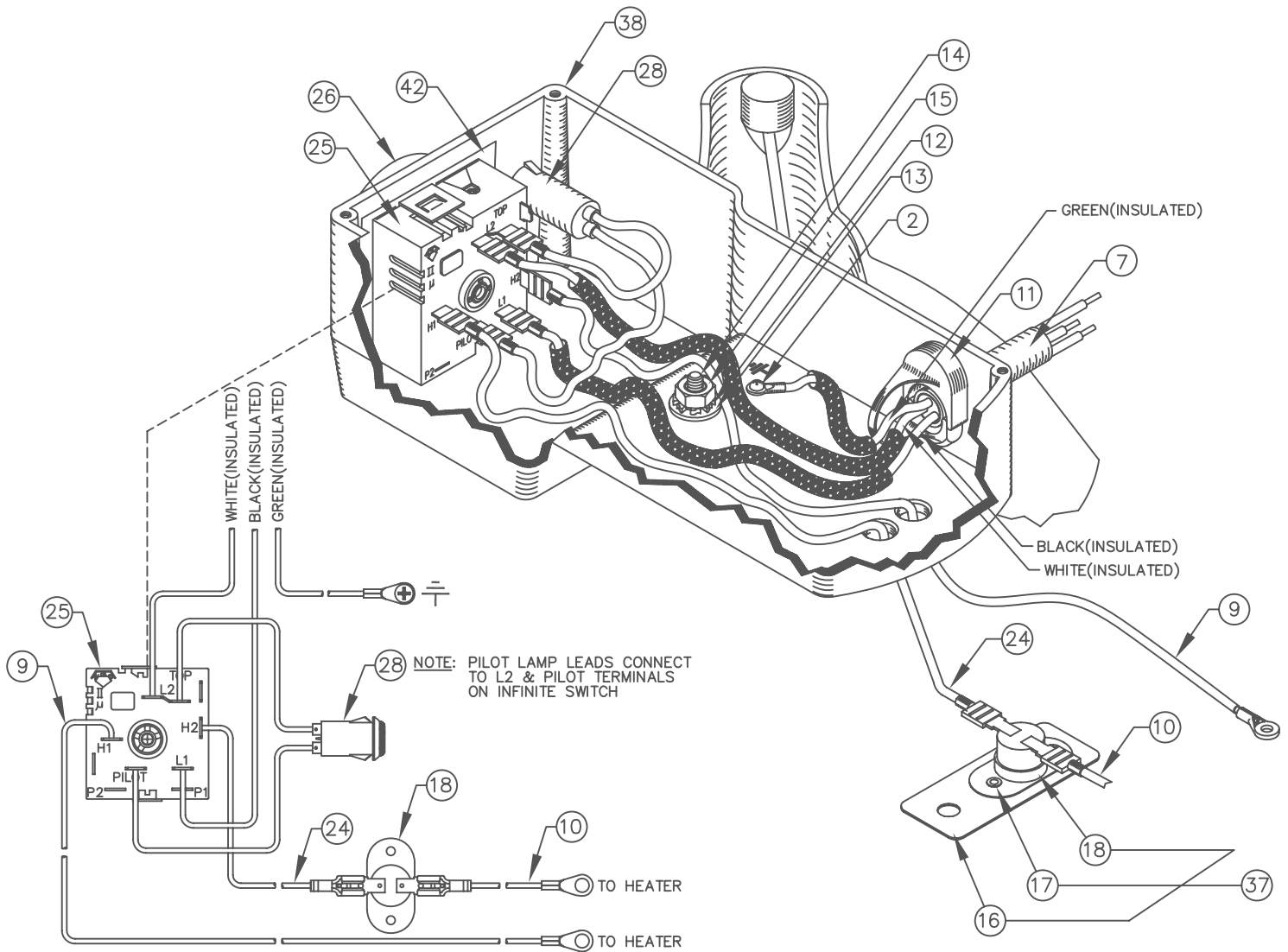
EXPLODED ASSEMBLY AND PART REFERENCE FOR  
THE TOMLINSON 120 VOLT FRONTIER KETTLE •



EXPLODED ASSEMBLY PART LIST FOR  
THE TOMLINSON 120 VOLT FRONTIER KETTLE •

| PARTS LIST |   |          |      |
|------------|---|----------|------|
| ITEM       | DESCRIPTION                                 | PART NO. | QTY. |
| 1          | LID, MOLDED 8QT.                            | 1906803  | 1    |
| 1A         | LID, MOLDED 12QT.                           | 1906805  | 1    |
| 2          | SCREW, 6-32x3/8 BLACK OXIDE                 | 1906609  | 9    |
| 3          | PLATE, CLAMPING SOUP CARD BLACK OXIDE       | 1906619  | 2    |
| 4          | CARD SET, BAGGED 22 SOUP CARDS              | 1906614  | 1    |
| 5          | BUMPER, KETTLE LEG                          |          | 3    |
| 6          | STUD, FOR KETTLE LEG                        |          | 3    |
| 7          | CORDSET, 120V                               | 1906696  | 1    |
| 8          | HEATER, TUBULAR 1250W 120V                  | 1906746  | 1    |
| 9          | JUMPER, 12" 1-RING, 1-FEMALE TERMINAL       | 1906821  | 1    |
| 10         | JUMPER, 6" 1-RING, 1-FEMALE TERMINAL        | 1906818  | 1    |
| 11         | BUSHING, STRAIN RELIEF                      | 1913216  | 1    |
| 12         | WASHER, 1/4" EXTERNAL TOOTH LOCK            | 1906640  | 2    |
| 13         | WASHER, STEEL 11/16 ODx11/32 ID FLAT        | 1906639  | 1    |
| 14         | SET SCREW, STAINLESS STEEL 1/4-20x1-3/4     | 1906604  | 1    |
| 15         | NUT, 1/4-20 ZINC PLATED STEEL HEX           | 1906601  | 2    |
| 16         | PLATE, THERMOSTAT MOUNTING                  |          | 1    |
| 17         | RIVET, #42 STAINLESS STEEL POP              |          | 2    |
| 18         | THERMOSTAT                                  |          | 1    |
| 19         | LABEL, SERIAL# 1250W UL NSF                 | 1906712  | 1    |
| 20         | LABEL, NYC                                  | 1906715  | 1    |
| 21         | INSULATOR, 10" DIAMETER                     | 1906906  | 1    |
| 22         | BAIL HANDLE, TRANSPORT COLLAR (OPTIONAL)    |          | 1    |
| 23         | HINGE, 8QT                                  | 1906813  | 1    |
| 23A        | HINGE, 12QT                                 | 1907545  | 1    |
| 24         | JUMPER, 12" W/2-FEMALE TERMINALS            | 1906822  | 1    |
| 25         | SWITCH, INFINITE 120V UL/CSA                | 1912206  | 1    |
| 26         | DIAL, SWITCH                                | 1915623  | 1    |
| 27         | SCREW, M4X0.7X10.0MM ZINC PLATED            | 1915032  | 2    |
| 28         | LIGHT, PILOT 120V AMBER LENS                | 1906721  | 1    |
| 29         | PLATE, KETTLE COVER ALUMINUM                | 1906704  | 1    |
| 30         | COLLAR, 8QT BLACK                           | 1908501  | 1    |
| 30A        | COLLAR, 12QT BLACK                          | 1908502  | 1    |
| 31         | BOTTOM PLATE                                |          | 1    |
| 32         | LABEL, CAUTION HOT                          | 1906710  | 1    |
| 33         | KETTLE, SOUP (NOT PAINTED)                  | 1906759  | 1    |
| 34         | INSERT, MACHINED ALUMINUM                   | 1906801  | 1    |
| 35         | FOOD INSERT, 8QT STAINLESS STEEL            | 1906625  | 1    |
| 35A        | FOOD INSERT, 12QT STAINLESS STEEL           | 1906626  | 1    |
| 36         | RIVET, STAINLESS STEEL (OPTIONAL)           |          | 2    |
| 37         | THERMOSTAT (REPLACEMENT)                    | 1418348  | 1    |
| 38         | BOTTOM PLATE, BLACK W/STUDS & BUMPERS       | 1019296  | 1    |
| 39         | TRANSPORT ASSEMBLY 8 QT. BLACK (OPTIONAL)   | 1406651  | 1    |
| 40         | TRANSPORT ASSEMBLY, 12 QT. BLACK (OPTIONAL) | 1406654  | 1    |
| 41         | SEAL, KETTLE SHELL CUT 37.50"               | 1920342  | 1    |
| 42         | SEAL, DELUXE KETTLE EGO SWITCH              | 1920341  | 1    |

# WIRING DIAGRAM FOR THE TOMLINSON 120 VOLT FRONTIER KETTLE®



## ⚠ WARNING

REPAIRS: Tomlinson Industries cannot be responsible for unauthorized field repairs. For service within the warranty, contact your distributor for the nearest authorized service facility. REPAIRS must be made by qualified, authorized personnel only.

## ⚠ WARNING

This appliance MUST BE serviced by QUALIFIED PERSONNEL ONLY. The power supply cord MUST BE disconnected from the power source before starting any repairs.

### ELECTRICAL COMPONENTS PARTS LIST

| ITEM | DESCRIPTION                             | PART NO. | QTY. |
|------|---|----------|------|
| 2    | SCREW, 6-32x3/8 BLACK OXIDE             | 1906609  | 9    |
| 7    | CORDSET, 120V                           | 1906696  | 1    |
| 9    | JUMPER, 12" 1-RING, 1-FEMALE TERMINAL   | 1906821  | 1    |
| 10   | JUMPER, 6" 1-RING, 1-FEMALE TERMINAL    | 1906818  | 1    |
| 11   | BUSHING, STRAIN RELIEF                  | 1913216  | 1    |
| 12   | WASHER, 1/4" EXTERNAL TOOTH LOCK        | 1906640  | 2    |
| 13   | WASHER, STEEL 11/16 ODx11/32 ID FLAT    | 1906639  | 1    |
| 14   | SET SCREW, STAINLESS STEEL 1/4-20x1-3/4 | 1906604  | 1    |
| 15   | NUT, 1/4-20 ZINC PLATED STEEL HEX       | 1906601  | 2    |
| 16   | PLATE, THERMOSTAT MOUNTING              |          | 1    |
| 17   | RIVET, #42 STAINLESS STEEL POP          |          | 2    |
| 18   | THERMOSTAT                              |          | 1    |
| 24   | JUMPER, 12" W/2-FEMALE TERMINALS        | 1906822  | 1    |
| 25   | SWITCH, INFINITE 120V UL/CSA            | 1912206  | 1    |
| 26   | DIAL, SWITCH                            | 1915623  | 1    |
| 28   | LIGHT, PILOT 120V AMBER LENS            | 1906721  | 1    |
| 37   | THERMOSTAT (REPLACEMENT)                | 1418348  | 1    |
| 38   | BOTTOM PLATE, BLACK W/STUDS & BUMPERS   | 1019296  | 1    |
| 42   | SEAL, DELUXE KETTLE EGO SWITCH          | 1920341  | 1    |